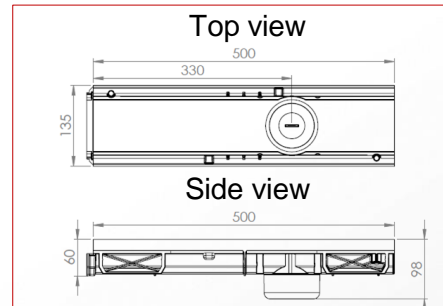
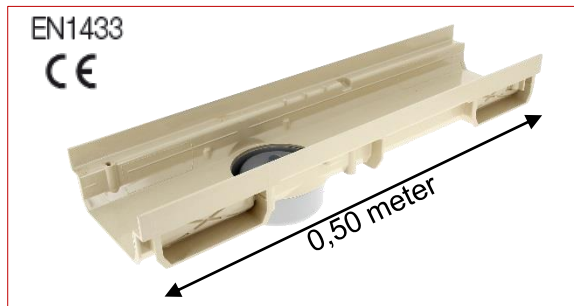
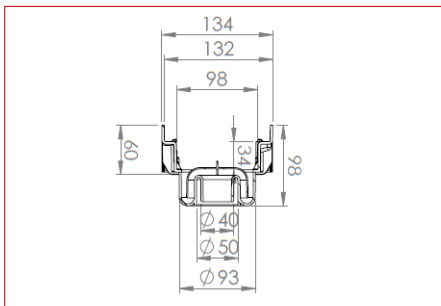


Connecto® I Shallow channel – Outside width 130mm – sand with trap

Code : CABS773S



FUNCTION :

The drainage channel is designed to drain run-off water. In accordance with EN1433 standard and the marking **CE**, it can be used in private areas for all building applications, the environment of home, pedestrian areas, private car parks or car parking decks in class **A15** or **B125**.

DESCRIPTION :

This channel body is injected in sand polypropylene with male/female interlocking system. It's equipped of a trap with 28mm water seal enabling vertical outlet $\varnothing 40$, 50 or 100.

The gratings GRL77 (light grey), GRL77S (sand), GRL77K (dark grey), GR77P (light grey), GR77PS (sand), GR77PB (white), GR77 (light grey) et GR77S (sand) are suitable with this channel.

ACCESSORIES :

Sealing the ends of the channel can be realized thanks to the following PVC accessorie :

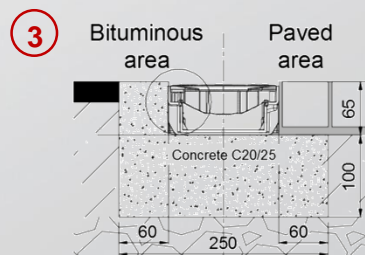
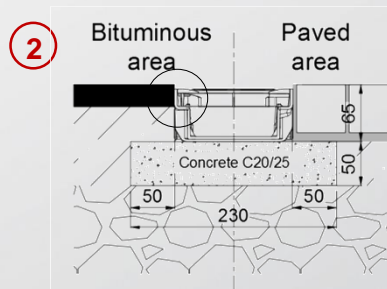
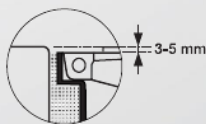
- end cap : NAH773S

CHARACTERISTICS :

Effective width: 98 mm
Effective depth: 34 mm
Weight: 0,6 kg
Drainage flow rate : 0,88 l/s

IMPLEMENTATION :

1. The channel body makes it possible to carry out 90° angles by interlocking.
2. See the scheme opposite for class A15
3. See the scheme opposite for class B125



QUALITY - ENVIRONMENT :

ISO 9001
ISO 14001
ISO 50001
BUREAU VERITAS
Certification



DATE : April 2016