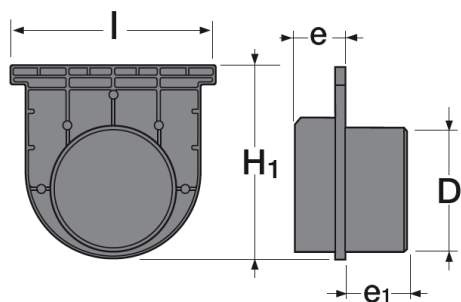
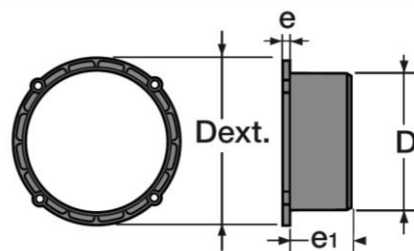


Kenadrain | Accessories for channel width 200

Codes : NZDR202, SZDR20, SBDR20



NZDR202



**SZDR20
SBDR20**

■ FUNCTION :

Permit an easy connexion of the channel Kenadrain width 200 to the drainage-pipe work.

■ DESCRIPTION :

The vertical and lateral outlets and end/outlet caps are injected in PVC.

■ CHARACTERISTICS :

Code	Type	Øoutlet D	Width l (mm)	Height H ₁ (mm)	Thickness e (mm)	Thickness e ₁ (mm)	Ø D _{ext} (mm)
NZDR202	End/Outlet cap	160	247	226	50	87	
SZDR20	Lateral	160			12	72	180
SBDR20	Vertical	200			12	78	216

■ IMPLEMENTATION OF THE OUTLET :

- To install a vertical or lateral outlet :
 - The lateral and/or vertical openings are uncapped with a hammer stroke.
 - The connecting pieces are screwed to the channel before implementation.
- To realise an outlet at the end of the channel :
The end/outlet cap is uncapped with a hammer stroke.

■ IMPLEMENTATION OF THE END/OUTLET CAPS :

- End/outlet caps are implemented by nesting in the channel. We ensure to block it in place with concrete or a temporary device.



■ QUALITY - ENVIRONMENT :

ISO 9001
ISO 14001
BUREAU VERITAS
Certification



DATE : September 2013